



Tambour Doors

REVEAL THE SPACE, CONCEAL THE CLUTTER

Installation Instructions for Base & 3 Piece Surround Tambour Doors. Before starting, please read these instructions carefully

For illustrative purposes, the Aluminium 3 piece Pelmet Surround as supplied by Luxul is shown in these drawings.



Scan the QR code to watch the installation guide video.

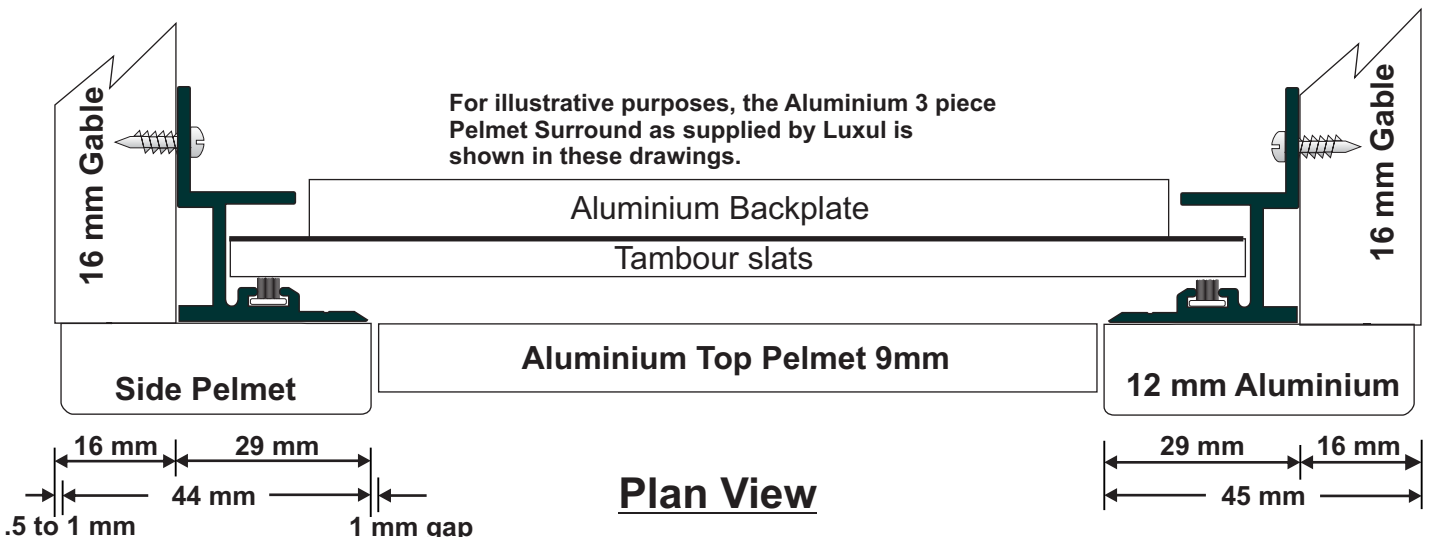
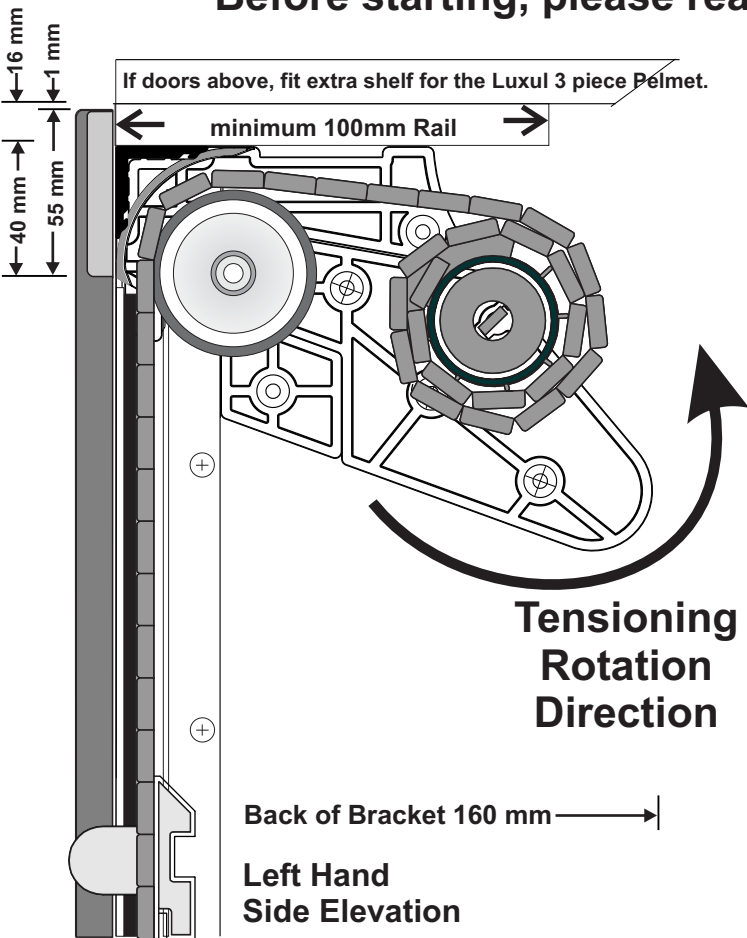
To scan the QR Code, simply download a free QR or Barcode reader app onto your smart phone.

Below is a table showing Standard Top & Side Rail thickness for the 3 piece Pelmet Surrounds as supplied by Luxul.

Material	Top Rail	Side Rails
Aluminium	9 mm	12 mm
ALL Decorative MDF	As provided by Supplier - 16 or 18 mm	
MDF MR	18 mm	18 mm
Paintgrade MR	18 mm	18 mm
Solid Timber	21 mm	21 mm
Laminate	16 mm substrate	16 mm substrate
Stylelite	16 mm substrate	16 mm substrate
Timber Veneer	16 mm substrate	16 mm substrate
Vinyl	18 mm substrate	18 mm substrate

NOTE:- The Luxul 3 piece Pelmet Surrounds are suitable for 16 mm carcass ONLY.

Warranty is VOID on spring if damaged due to tensioning in wrong direction.

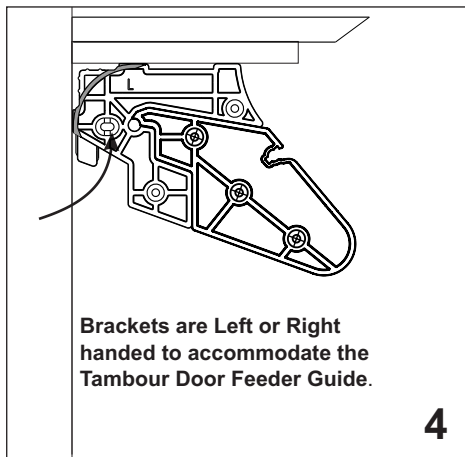


NOTE:- If you wish to screw-fix the Top of the Pelmet supplied By Others, the Pelmet HAS to be fitted & fixed BEFORE the FRONT ROLLER is fitted.

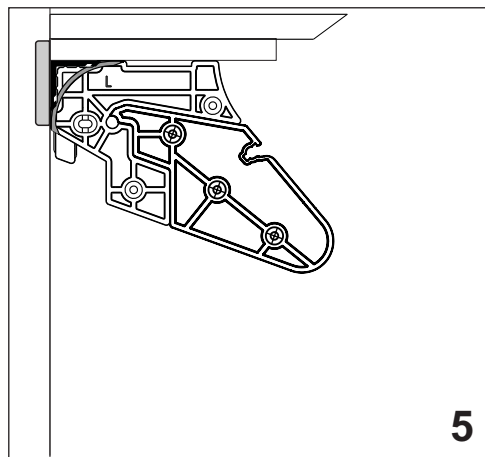
STEP by STEP INSTRUCTIONS

- Carefully unwrap Tambour Door package. Do not use any kind of blade along the length of the package - open from each end. Remove hardware from tambour roll and re-roll the door.
- All Screws for brackets, handle, pelmet surround & side tracks are supplied in individually marked plastic bags.
- Using the wrapping, re-wrap the door to protect from possible damage and to **exclude dust and particles from collecting between the slats. This is very important - the tambour will not hang straight if there is debris between the slats.**

Installation Instructions continued.....

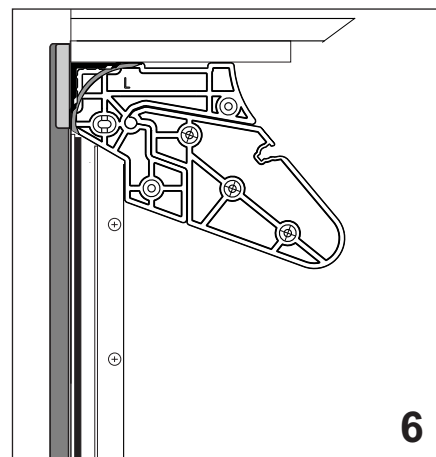


4 Fit the 2 part brackets flush to the carcass top and flush to the Blade/Gable front edge using adjustable screw slot [arrowed] first. Ensure the bottom section of the bracket is **FIRMLY** nested to the top section

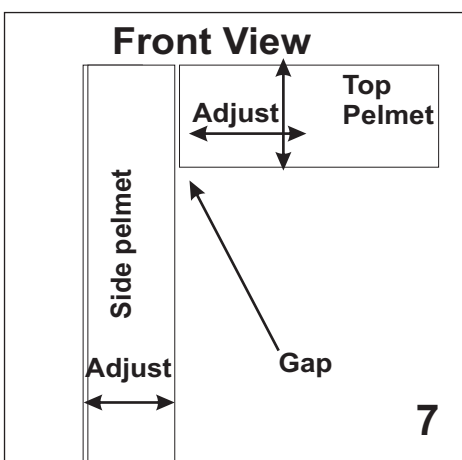


5 Slide the specially designed aluminium angle into position on top of the brackets
DO NOT FIX.

NOTE:- If Luxul 3 piece Pelmet Surround has been ordered the TOP Pelmet will be pre-fitted to this angle.



6 Slip the aluminium side tracks onto the locating tab of the brackets. Ensure track is **FLUSH** with front edge of Blade/Gable then screw fix. NOTE:- If Luxul 3 piece Pelmet Surround has been ordered, the Side Pelmet will be pre-fitted to the side tracks.

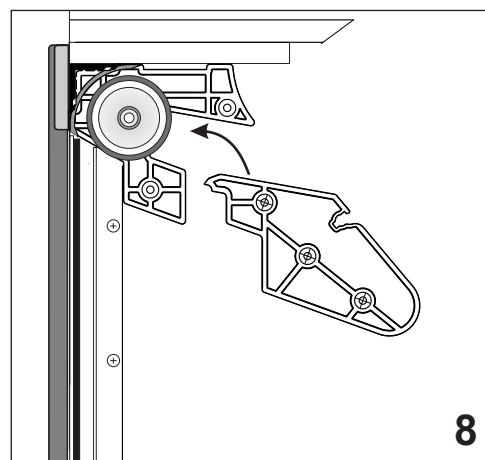


7 Using the screws provided, screw fix the top aluminium angle then, using the **BLACK** screws provided fit **your own** 1 or 3 piece Pelmet through the aluminium side tracks and the top aluminium extrusion.

OR

You can align top horizontal section of the **Luxul 3 piece Pelmet Surround** to an even gap each side then screw fix aluminium angle to carcass top.

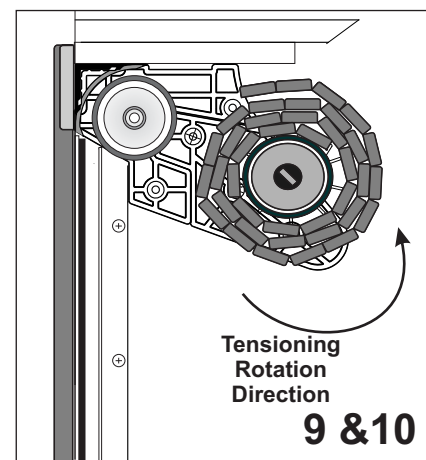
Vertical alignment of + or - 1 mm is available on both side & top pelmet sections as shown in drawing. Loosen fixing screws at rear of pelmet - adjust the gaps then re-tighten screws.



8 Remove lower section of one of the brackets and place front roller into roller slots. Refix lower section of bracket. Roller must spin freely.

If you wish to screw-fix the TOP of the Pelmet Surround supplied by others, the Pelmet has to be fitted & fixed BEFORE the FRONT ROLLER is fitted.

This is why the bracket is supplied in two pieces.



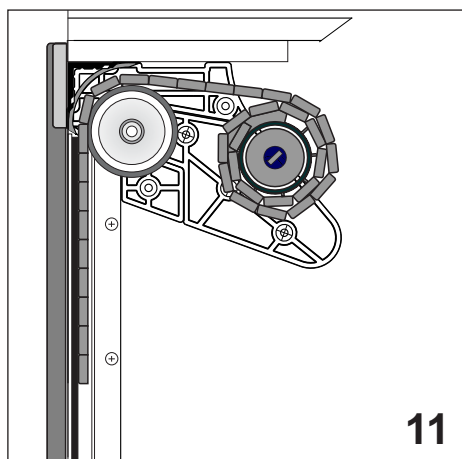
9 Unwrap the Tambour Door, ensuring no dust or particles fall in between the slats, and, from behind the brackets, place the door into the bracket slots. Apply pressure to the pin end to click into bracket

.If the cupboard is narrow, remove 1 side of the pelmet surround & track then re-fit when tambour door is in place.

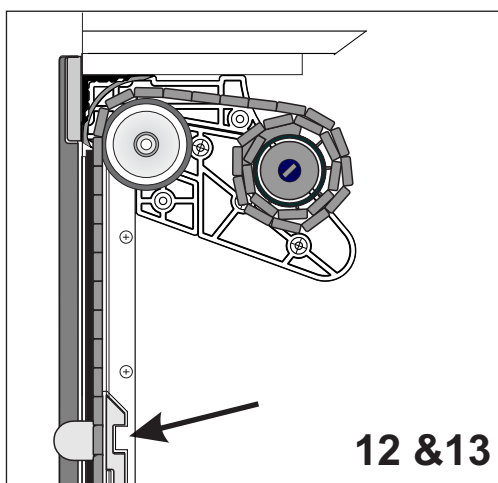
10 Tension the spring by rotating the tambour door in the direction indicated [towards the front] with [] full rotations.

Ensure the Luxul Tambour Door runs smoothly and freely. Do not leave the door on site if there is an obvious defect.

Luxul warrant the door against defects and workmanship but only if the door is correctly & competently installed by a certified tradesperson.



11 While maintaining the tension of the tambour door spring, **CAREFULLY** unroll the tambour door over the front roller and feed into the aluminium side tracks. The feeder guides on the brackets will point the 1st slat into the track.



12 Pull the tambour down to the closed position and inspect the tambour door. Are there any gaps or lines in the face of the tambour. If so, there is rubbish between the slats. Un-install the Tambour door, remove the rubbish then re-install.

13 Fit the handle & the aluminium backplate. Test for correct tension and, if required, adjust number of turns by removing the handle & backplate and either increase or decrease the number of turns. Re-fix the handle & backplate.



Scan the QR code to watch the installation guide video.

i To scan the QR Code, simply download a free QR or Barcode reader app onto your smart phone.