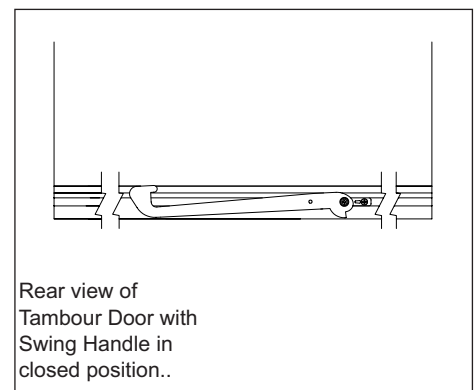
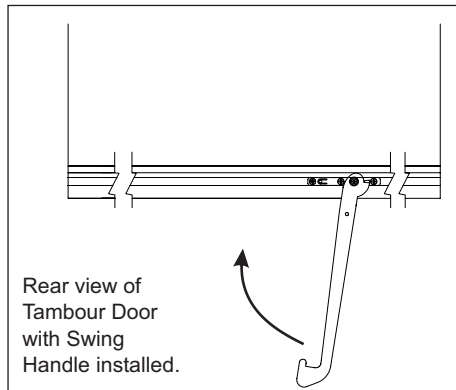
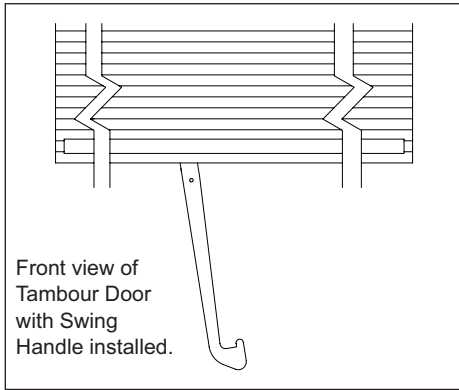
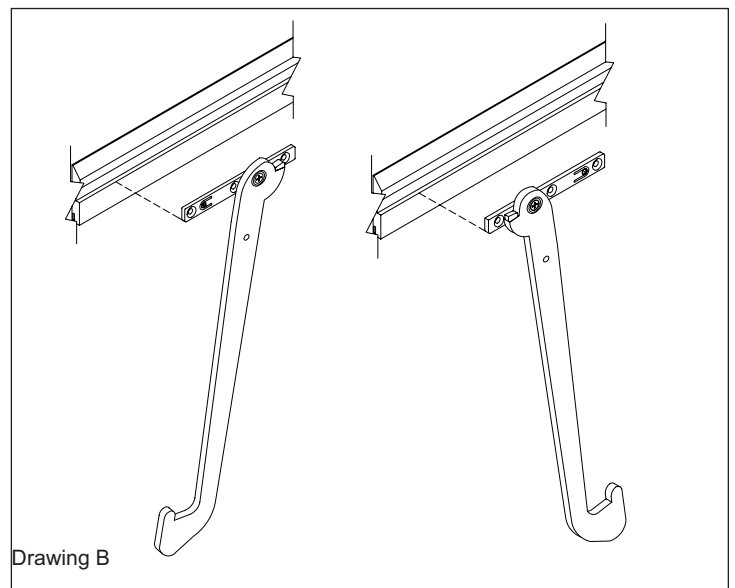
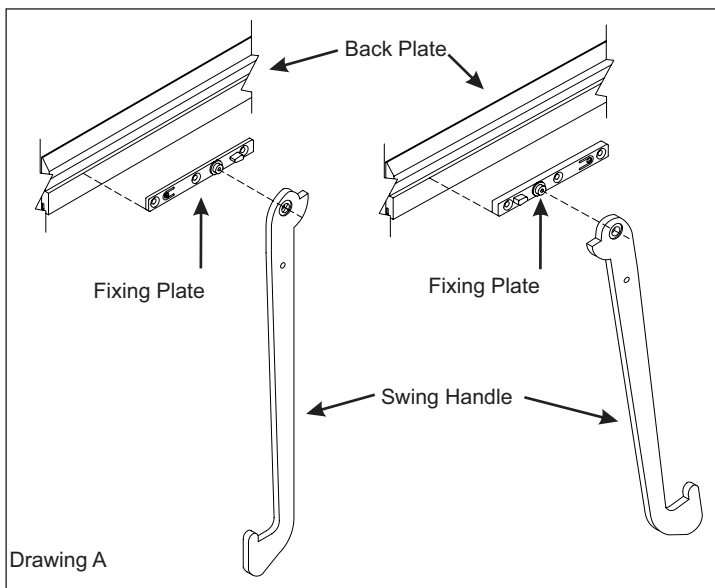


The Luxul Swing Handle is designed for accessing high shelving behind Tambour Doors. Particularly for cabinet units that open to more than 1750 mm above floor height.



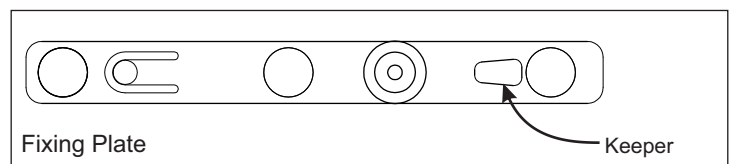
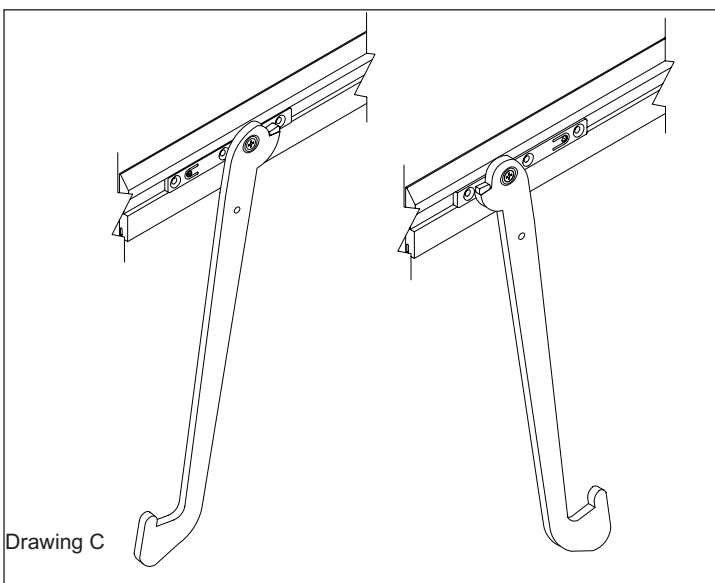
All shelving **MUST** be set back a minimum of 50 mm from Gable/Blade front edge for the Swing Handle to function properly.

The Swing Handle should be installed after the **COMPLETED** installation of the Tambour door.



Both left & right hand assemblies are shown in drawings A, B & C.

- 1 Determine the position of the Swing Handle based on left or right swing. The Swing Handle should close towards the user.
- 2 Simply turn the fixing plate 180 degrees and reverse the handle to switch from one hand to the other.
- 3 Using the special screw provided, attach the swing handle to the fixing plate - ensure the screw is firmly tightened - See Drawing B. Ensure the fixing plate does not hinder or cover any Tambour Door handle screw holes.
- 4 Drill and fit fixing plate onto the aluminium backplate of the Tambour Door using screws provided - See Drawing C.
- 5 Make sure the Swing Handle operates correctly - that it can be easily unclipped for use and automatically clips into place as the Tambour Door is closed.



- 6 Can be installed left or right handed.
- 6 The Swing Handle does not have to be centre of the Tambour Door - works well off centre.
- 6 Minimum cabinet opening width required is 465 mm.
- 6 If centre mortice lock is fitted, minimum cabinet opening width required is 965 mm.

Luxul warrant the Swing Handle against defects & workmanship but only if the Swing Handle is correctly & competently installed.



Scan the QR code to watch the installation guide video.



To scan the QR Code, simply download a free QR or Barcode reader app onto your smart phone.